

# 1.27mm/1.27mm (0.05"×0.05") Adapter Header Box Type

## Dual Row 10 to 100 Contacts

### 0.4mm (0.0157") Square Post

## 0158 Series

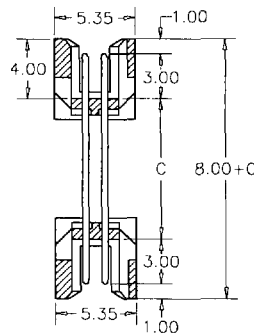
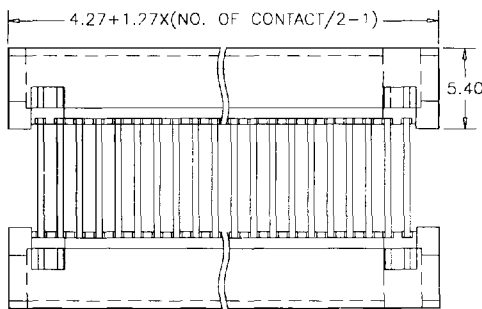
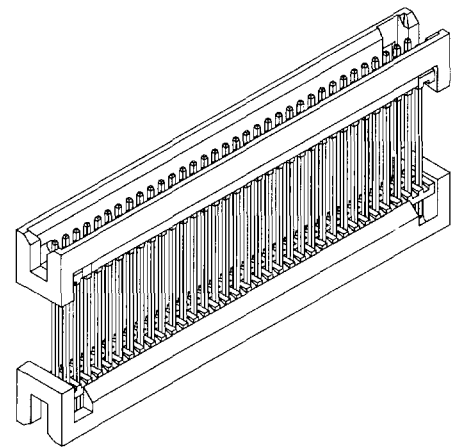
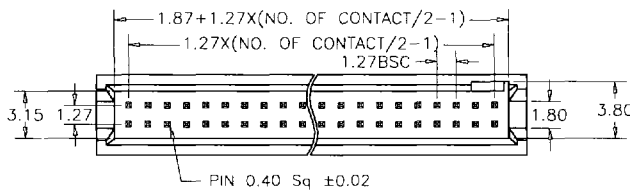
#### APPLICATION AND FEATURES

1. Side stackable (on unbroken edges).
2. Variable pin length, gold or tin plated.
3. Standoffs facilitate post solder cleaning.
4. Mates with P.C.Board connectors such as 0057D & 0156 series.

#### SPECIFICATIONS

Current Rating: 1 Amp  
 Insulator resistance: 5000 Megohms min.  
 Dielectric withstanding: AC 500 V  
 Operating Temperature: -40° to +105°C  
 Max Processing Temp: 230° for 30~60 seconds  
 (260° for 10 seconds)

Contact Material: Phosphor bronze  
 Insulator Material: Polyester, UL 94V-0  
 ©Standard: Nylon-6T



### Order Information 0158 Series

Example: 0158 - 40 - 02 - C

Series No.

0158

Number of Contacts

10 to 100 Contacts

Contact Plating

Tin Plated 01

Gold Plated

Flash 02

10 μ" 10

30 μ" 30

Pin Length mm

C

14.6